
Comfort-Aire®

 **Century**®

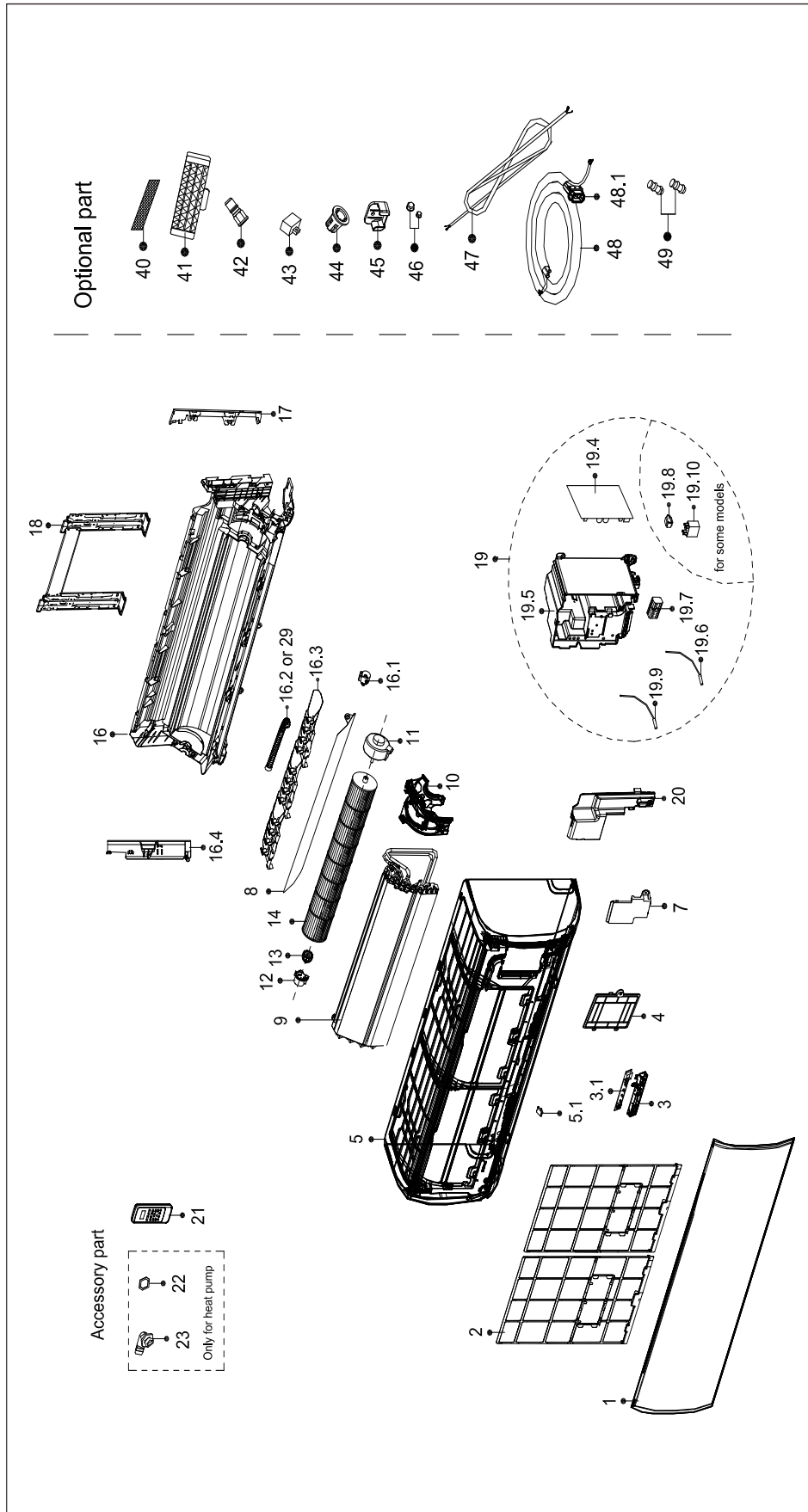
MARS®
Delivering Confidence

REPLACEMENT PARTS LIST

Single Zone Ductless Mini-Split with Inverter Technology

B-SVH24SB-1

EXPLODED VIEW



REPLACEMENT PARTS

Location	Part Name	Quantity	Part No.
1	Panel assembly	1	12122000A78169
2	Air filter	2	12122000015222
3	Display box subassembly	1	17222000A45572
3.1	Display board subassembly	1	17122000041914
4	Cover of electrical equipment	1	12122000013357
5	Panel frame assembly	1	12122000013353
5.1	Screw Cap	2	12122000013355
7	Cover of electrical equipment subassembly	1	12122000013350
8	Horizontal louver	1	12122000013348
9	Evaporator assembly	1	15822000008192
10	Fan motor cover	1	12122000013349
11	Single phase asynchronous motor	1	11002012003053
12	Bearing holder	1	12122000000350
13	Bearing base	1	12622000000006
14	Cross flow fan	1	12100102000002
16	Chassis assembly	1	12122000027061
16.1	Stepper motor	1	11002010000049
16.3	Horizontal louver	3	12122000013343
16.4	Front cover of chassis(left)	1	12122000013342
17	pipe clamp board	1	12122000013346
18	Installation plate	1	12222000A03013
19	Electronic control box subassembly (Mid-and low-end)	1	17222000031666
19.4	Main control board subassembly	1	17122000048880
19.5	Electronic control box subassembly	1	12122000020046
19.6	Pipe Temperature Sensor	1	11201007003445
19.7	Terminal	1	17400401000006
19.9	Room temperature sensor	1	11201007003425
19.10	Fan motor capacitor	1	17400101000084
20	Electrical Control Box Cover Subassembly	1	12122000013356
21	Remote controller	1	17317000A51872
22	seal ring	1	12600701000039
23	Drain hose	1	12100509000061
29	Drain hose	1	12100501000032
40	Filter	2	12100207000131
42	Detection valve	1	15500209000002
45	Bracket of remote Controller	1	12117000002114
46	Copper nut	1	15500406000010
46	Copper nut	1	15500406000003
52	Chassis assembly	1	12122000027061

Due to ongoing product improvements, specifications and dimensions are subject to change and correction without notice or incurring obligations. Determining the application and suitability for use of any product is the responsibility of the installer. Additionally, the installer is responsible for verifying dimensional data on the actual product prior to beginning any installation preparations.

Incentive and rebate programs have precise requirements as to product performance and certification. All products meet applicable regulations in effect on date of manufacture; however, certifications are not necessarily granted for the life of a product. Therefore, it is the responsibility of the applicant to determine whether a specific model qualifies for these incentive/rebate programs.

Comfort-Cire®  **Century**®

1900 Wellworth Ave., Jackson, MI 49203 • Ph. 517-787-2100 • www.marsdelivers.com

